

CEILING FAN INSTALLATION INSTRUCTIONS

READ AND SAVE THESE INSTRUCTIONS

FAN MUST BE FULLY ASSEMBLED WITH BLADES PRIOR TO PROGRAMMING WHEN USED WITH INCLUDED OR ADDED REMOTE CONTROL. Do Not pre-test remote control operation prior to completing fan assembly—the motor will not turn properly without the blades.

ONLY CASA VIEJA RECOMMENDED CONTROLS ARE COMPATIBLE WITH THIS FAN.

"Do not use an electric drill for fan assembly to avoid damage and blade wobble. Only use manual screwdriver (included)."

SKU# 92Y03
92Y04
92Y05

FAN RATING AC 120V. 60Hz
UL WET LISTED MODEL: AC-5520D

1. SAFETY RULES

- To reduce the risk of electric shock, ensure electricity has been turned off at the circuit breaker or fuse box before beginning.
- All wiring must be in accordance with the National Electrical Code and local electrical codes. Electrical installation should be performed by a qualified licensed electrician.
- CAUTION:** Read all instructions and safety information before installing your new fan. Review accompanying assembly diagrams.
- WARNING:** To reduce the risk of electrical shock and fire, do not use this fan with any solid-state fan speed control device.
- WARNING:** To reduce the risk of fire, electric shock, or personal injury, mount to outlet box marked "acceptable for fan support of 15.8 kg (35 lbs.) or less" and use mounting screws provided with the outlet box. Most outlet boxes commonly used for the support of light fixtures are not acceptable for fan support and may need to be replaced. Due to the complexity of the installation of this fan, a qualified licensed electrician is strongly recommended.
- The outlet box and support structure must be securely mounted and capable of reliably supporting a minimum of 50 pounds. Use only UL Listed outlet boxes marked "FOR FAN SUPPORT".
- The fan must be mounted with a minimum of 7 feet clearance from the trailing edge of the blades to the floor.
- Do not operate reversing switch while fan blades are in motion. Fan must be turned off and blades stopped before reversing blade direction.
- Avoid placing objects in the path of the blades.
- To avoid personal injury or damage to the fan and other items, be cautious when working around or cleaning the fan.

- Do not use water or detergents when cleaning the fan or fan blades. A dry dust cloth or lightly dampened cloth will be suitable for most cleaning.
- After making electrical connections, spliced conductors should be turned upward and pushed carefully up into outlet box. The wires should be spread apart with the grounded conductor and the equipment-grounding conductor on one side of the outlet box.
- Electrical diagrams are for reference only. Light kits that are not packed with the fan must be UL Listed and marked suitable for use with the model fan you are installing. Switches must be UL General Use Switches. Refer to the Instructions packaged with the light kits and switches for proper assembly.

WARNING
TO REDUCE THE RISK OF PERSONAL INJURY, DO NOT BEND THE BLADE BRACKETS (ALSO REFERRED TO AS FLANGES) DURING ASSEMBLY OR AFTER INSTALLATION. DO NOT INSERT OBJECTS IN THE PATH OF THE BLADES.

Do not use an electric screwdriver for ceiling fan assembly.

2 people are required for ceiling fan installation- one person to hold the fan.

FAN MUST BE FULLY ASSEMBLED WITH BLADES PRIOR TO PROGRAMMING WHEN USED WITH INCLUDED OR ADDED REMOTE CONTROL. Do Not pre-test remote control operation prior to completing fan assembly – the motor will not turn properly without the blades.

NOTE
READ AND SAVE ALL INSTRUCTIONS!

WARNING
TO REDUCE THE RISK OF FIRE, ELECTRIC SHOCK OR PERSONAL INJURY, MOUNT FAN TO OUTLET BOX MARKED "ACCEPTABLE FOR FAN SUPPORT".

2. TOOLS AND MATERIALS REQUIRED

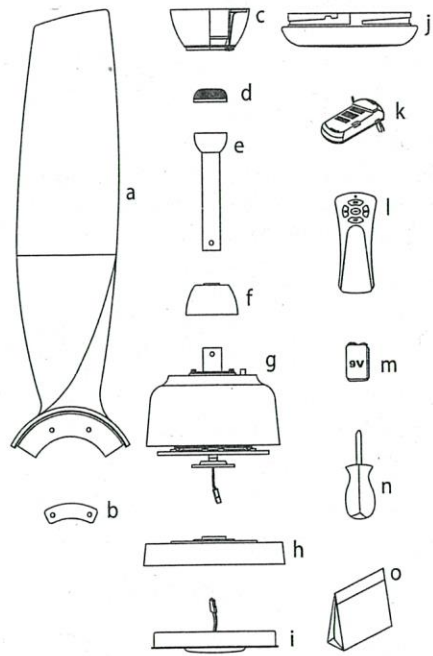
- Phillips screw driver
- Standard flat screw driver
- Step ladder
- Wire cutters



3. PACKAGE CONTENTS

Unpack your fan and check the contents. You should have the following items:

- Blade set (3)
- Blade support plates (3)
- Canopy & mounting bracket assembly
- Downrod ball rubber cover
- 6" Downrod assembly
- Coupling cover
- Fan motor assembly
- Light mounting plate
- LED light module assembly
- Glass shade
- Receiver with 3 wire nuts
- Hand held remote with 2 screws and holder
- 9 Volt battery
- Screw driver
- Package hardware
 - Mounting hardware: wood screws (2), screws (2), lock washers (2), star washers (2), wire nuts (3), washers (2)
 - Blade attachment hardware: screws with lock washers (7)
 - Balance Kit



LAMP INFORMATION
Power Consumption: 16W
Color temperature: 3000K
Color rendering: 76%
Power Factor(PF): 0.85
Luminous Flux: 800 lm

4. MOUNTING OPTIONS

If there isn't an existing UL listed mounting box, then read the following instructions. Disconnect the power by removing fuses or turning off circuit breakers.

Secure the outlet box directly to the building structure. Use appropriate fasteners and building materials. The outlet box and its support must be able to fully support the moving weight of the fan (at least 50 lbs). Do not use plastic outlet boxes.

Figures 1, 2 and 3 are examples of different ways to mount the outlet box.

NOTE: You may need a longer downrod to maintain proper blade clearance when installing on a steep, sloped ceiling. (Fig. 3)

To hang your fan where there is an existing fixture but no ceiling joist, you may need an installation hanger bar as shown in Figure 4.

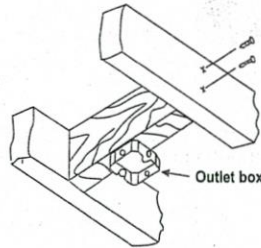


Figure 1

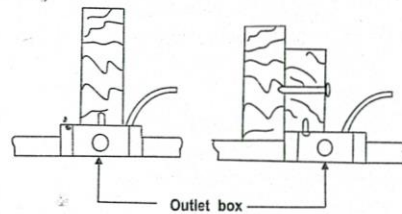


Figure 2

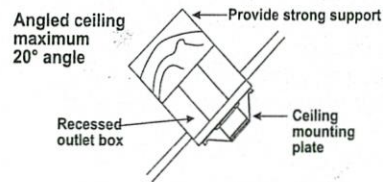


Figure 3

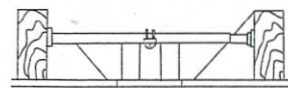


Figure 4

FAN MUST BE FULLY ASSEMBLED WITH BLADES PRIOR TO PROGRAMMING WHEN USED WITH INCLUDED OR ADDED REMOTE CONTROL. Do Not pre-test remote control operation prior to completing fan assembly – the motor will not turn properly without the blades.

5. HANGING THE FAN

To reduce the risk of electric shock, ensure electricity has been turned off at the circuit breaker or fuse box before beginning.

REMEMBER to turn off the power. Follow the steps below to hang your fan properly:

Step 1. Remove the decorative canopy bottom cover from the canopy by turning the cover counter clockwise. (Fig. 5)

Step 2. Remove the mounting bracket from the canopy by removing the non-slotted screw from the bottom of the mounting bracket and loosening the slotted one a half turn from the screw head. Next, turn the canopy counter clockwise to remove the mounting bracket from the canopy. (Fig. 5)

Step 3. Pass the 120-volt supply wires through the center hole in the ceiling mounting bracket as shown in Fig. 6.

Step 4. Secure the mounting bracket to the ceiling outlet box using screws and washers included with your outlet box. (Fig. 6)

Step 5. Remove the lock pin, hitch pin and set screws from the top of the motor assembly. Do not discard. (Fig. 7)

Step 6. Route wires exiting from the top of the fan motor through the coupling cover, canopy cover, canopy and then through the ball/downrod. (Fig. 7)

Step 7. Align the holes at the bottom of the downrod with the holes in the collar on top of the motor housing (Fig. 7). Carefully insert the hitch pin through the holes in the collar and downrod. Be careful not to jam the pin against the wiring inside the downrod. Insert the lock pin through the hole near the end of the hitch pin until it snaps into its locked position.

WARNING: FAILURE TO PROPERLY INSTALL LOCKING PIN AS NOTED IN STEP 7 COULD RESULT IN FAN LOOSENING AND POSSIBLY FALLING.

Step 8. Tighten the two set screws on top of the fan motor firmly. (Fig. 7)

Step 9. Place downrod ball rubber cover onto the downrod ball. Place the downrod ball into the mounting bracket socket and ensure the groove (registration slot) on the downrod ball is seated on the tab of the bottom of the mounting bracket socket. (Fig. 8)

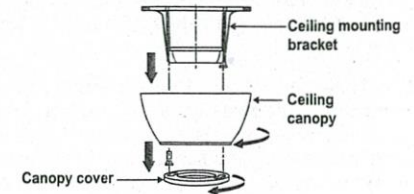


Figure 5

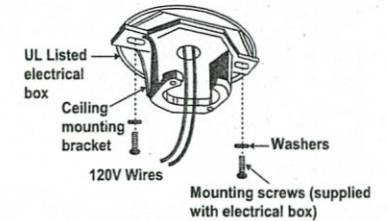


Figure 6

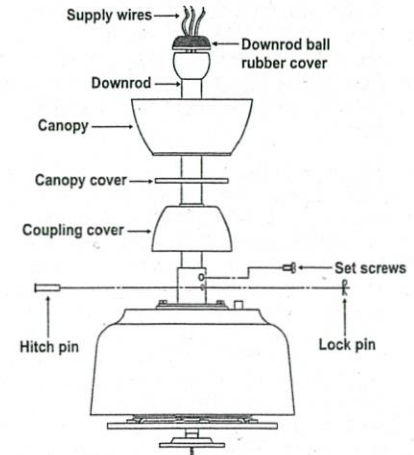


Figure 7

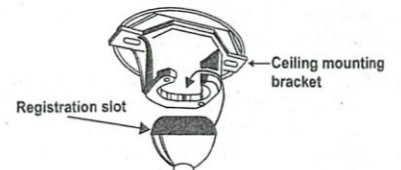


Figure 8

6. MAKE THE ELECTRICAL CONNECTIONS

WARNING: To avoid possible electrical shock, be sure electricity is turned off at the main fuse box before wiring.

CAUTION: Only Casa Vieja recommended controls are compatible with this fan. This remote control unit is equipped with 16 code combinations to prevent possible interference from or to other remote units. The frequency switches on your receiver and transmitter have been preset at the factory. Please recheck to make sure the switches on transmitter and receiver are set to the same position, any combination of settings will operate the fan as long as the transmitter and receiver are set to the same position. (Fig. 9)

Step 1. (Fig. 10) Insert the receiver into the mounting bracket with the flat side of the receiver facing the ceiling.

Step 2. (Fig. 11) Motor to receiver electrical connections: Connect the black wire from the fan to black wire marked "TO MOTOR L". Connect the white wire from the fan to the white wire marked "TO MOTOR N" from the receiver. Connect the blue wire from the fan to the blue wire marked "For bottom Light" from the receiver. Secure wire connections with the plastic wire nuts provided.

Step 3. (Fig. 11) Receiver to House Supply Wires Electrical Connections: Connect the black (hot) wire from the ceiling to the black wire marked "AC in L" from the receiver. Connect the white (neutral) wire from the ceiling to the white wire marked "AC in N" from the Receiver. Secure the wire connections with the plastic wire nuts provided.

Step 4. (Fig. 11) If your outlet box has a ground wire (green or bare copper) connect it to the fan ground wires; otherwise connect the hanging bracket ground wire to the mounting bracket. Secure the wire connection with a plastic wire nut provided. After connecting the wires, spread them apart so that the green and white wires are on one side of the outlet box and black and blue wires are on the other side. Carefully tuck the wire connections up into the outlet box.

NOTE: Fan must be installed within a maximum distance of 20 feet from the transmitting unit for proper signal transmission between the transmitting unit and the fan's receiving unit.

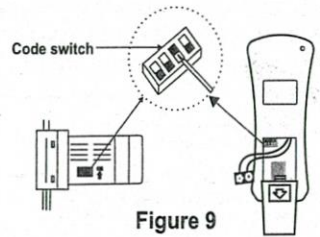


Figure 9

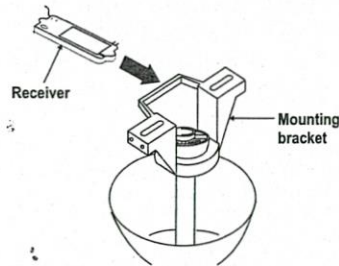


Figure 10

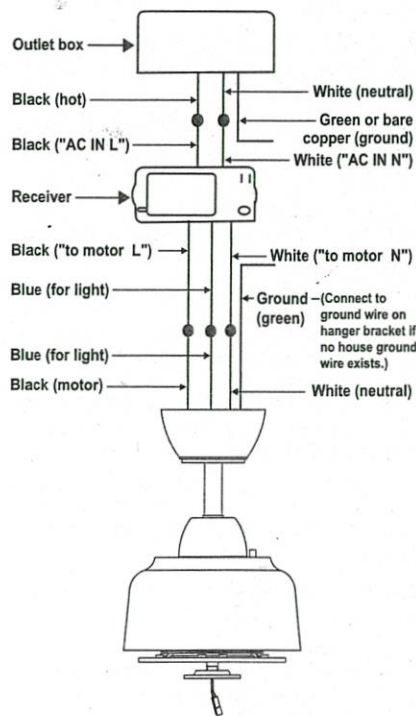


Figure 11

7. FINISHING THE INSTALLATION

Step 1. Tuck connections neatly into ceiling outlet box.

Step 2. Slide the canopy up to mounting bracket and place the key hole on the canopy over the screw on the mounting bracket, turn canopy until it locks in place at the narrow section of the key holes.

Step 3. Align the circular hole on canopy with the remaining hole on the mounting bracket, secure by tightening the two set screws.

NOTE: Adjust and tighten the canopy screws as necessary until the canopy and canopy cover are snug. (Fig. 12)

WARNING: Make sure tab at bottom of mounting bracket is properly seated in groove of downrod ball before attaching canopy to bracket. Failure to properly seat tab in groove could cause damage to electrical wiring.

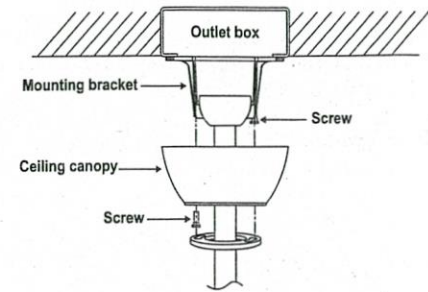


Figure 12

8. ATTACHING THE FAN BLADES

Align the holes in blade and blade bracket, secure with blade support plates, screws with lock washers provided. (Fig. 13)

Repeat process with the remaining blades.

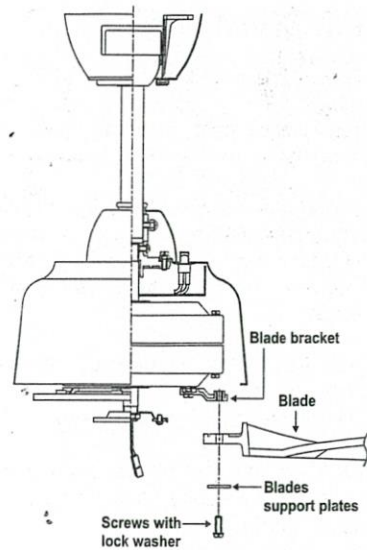


Figure 13

9. ATTACHING THE LIGHT MOUNTING PLATE

Step 1. Remove 1 of the 3 screws from the mounting ring and keep it for future use. Loosen the other 2 screws. (Do not remove)

Step 2. Place the key holes on the mounting plate over the 2 screws previously loosened from the mounting ring, turn mounting plate until it locks in place at the narrow section of the key holes. Secure by tightening the 2 screws previously loosened and the one previously removed. (Figure 14)

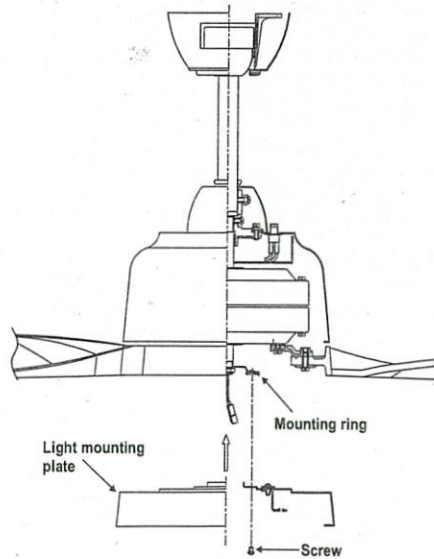


Figure 14

10. INSTALLING THE LED LIGHT MODULE ASSEMBLY

NOTE: Before starting installation, disconnect the power by turning off the circuit breaker or removing the fuse at fuse box. Turning power off using the fan switch is not sufficient to prevent electric shock.

Step 1. Remove 1 of the 3 screws from the light mounting plate and loosen the other 2 screws. (Do not remove)

Step 2. While holding the LED light module assembly under the fan motor assembly, fasten the 2-pin wire connections: (Fig. 15)

- White to white
- Black to black

Step 3. Place the key holes on the LED light module assembly over the 2 screws previously loosened on the light mounting plate, turn the LED light module assembly until it locks in place at the narrow section of the key holes. Secure by tightening the 2 screws previously loosened and the one previously removed. (Fig. 15)

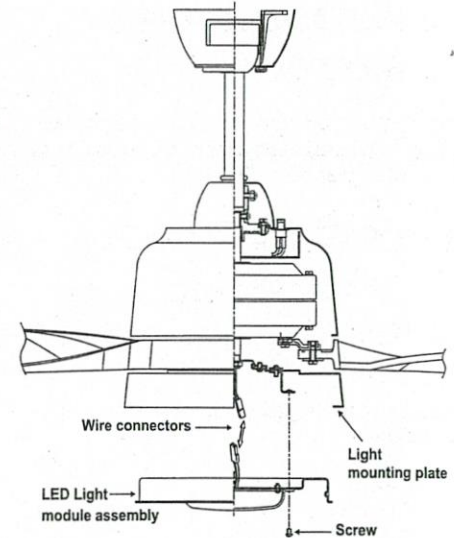


Figure 15

11. ATTACHING THE GLASS SHADE

NOTE: Before starting installation, disconnect the power by turning off the circuit breaker or removing the fuse at fuse box. Turning power off using the fan switch is not sufficient to prevent electric shock.

Step 1. Raise glass shade up against the LED Light module assembly and secure it to fan by turning glass clockwise until snug. Do not overtighten. (Fig. 16)

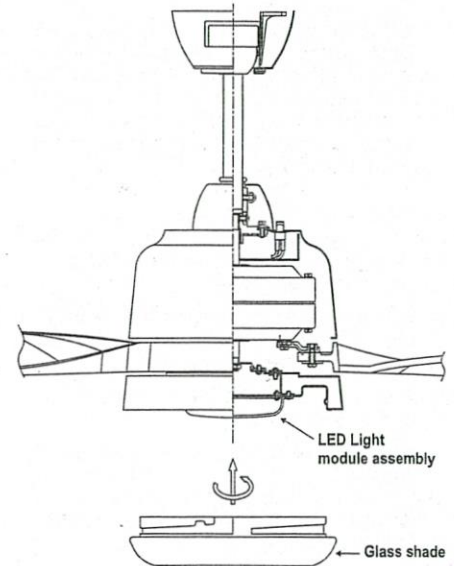


Figure 16

12. INSTALLING THE BATTERY

Install 9 volt battery (included). To prevent damage to transmitter, remove the battery if not used for long periods. (Fig. 17)

13. OPERATING YOUR TRANSMITTER

CAUTION: Only Casa Vieja recommended controls are compatible with this fan.

Restore power to ceiling fan and test for proper operation.

A. **"HI, MED, and LOW"** buttons:

These three buttons are used to set the fan speed as follows:

- HI= high speed
- Med= medium speed
- Low= low speed

B. **"OFF"** button:

This button turns the fan off.

C. The **"LIGHT"** button turns the light ON or OFF and also controls the brightness setting. Press and release the button to turn the light ON or OFF. Press and hold the button to set the desired brightness. The light button has an auto-resume, it will stay at the same brightness as the last time it was turned off.

The Reverse switch is located on the top of the motor housing. Slide the switch to the Left for warm weather operation. Slide the switch to the Right for cool weather operation.

Blade rotation settings for warm or cool weather depend on factors such as the room size, Ceiling height, number of fans and so on.

NOTE: Wait for fan to stop before changing the setting of the slide switch.

Warm weather - (Forward/Counter Clockwise) A downward airflow creates a cooling effect as shown in Fig. 19. This allows you to set your air conditioner on a warmer setting without affecting your comfort.

Cool weather - (Reverse/Clockwise) An upward airflow moves warm air off the ceiling area as shown in Fig. 20. This allows you to set your heating unit on a cooler setting without affecting your comfort.

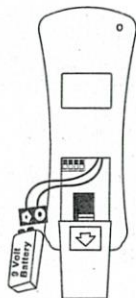


Figure 17

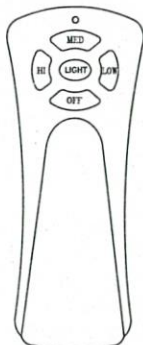


Figure 18

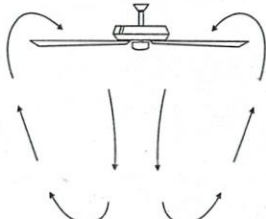


Figure 19

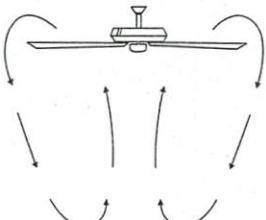


Figure 20

14. CARE OF YOUR FAN

Here are some suggestions to help you maintain your fan:

1. Because of the fan's natural movement, some connections may become loose. **Check the support connections, brackets, and blade attachments twice a year. Make sure they are secure. (It is not necessary to remove fan from ceiling.)**
2. Clean your fan periodically to help maintain its new appearance over the years. Use only a soft brush or lint-free cloth to avoid scratching the finish. The plating is sealed with a lacquer to minimize discoloration or tarnishing. Do not use water when cleaning. This could damage the motor, or the wood, or possibly cause an electrical shock.
3. **There is no need to oil your fan.** The motor has permanently lubricated bearings.

IMPORTANT
MAKE SURE THE POWER IS OFF AT THE ELECTRICAL PANEL BOX BEFORE YOU ATTEMPT ANY REPAIRS. REFER TO THE SECTION "MAKING ELECTRICAL CONNECTIONS".

15. TROUBLESHOOTING

Problem	Solution
Fan will not start	<ol style="list-style-type: none">1. Check circuit fuses or breakers.2. Check line wire connections to the fan and switch wire connections in the switch housing. CAUTION: Make sure main power is off.3. Check to make sure the dip switches from the transmitter and receiver are set to the same frequency.
Fan sounds noisy	<ol style="list-style-type: none">1. Make sure all motor housing screws are snug.2. Make sure the screws that attach the fan blade bracket to the motor hub are tight.3. Make sure wire nut connections are not rubbing against each other or the interior wall of the canopy. CAUTION: Make sure main power is off.4. Allow a 24-hour "breaking-in" period. Most noise associated with a new fan disappear during this time.5. If using a ceiling fan LED module light, make sure the screws on the LED module light are secure and the glass is snug.6. Do not connect the fan with wall mounted variable speed control(s).7. Make sure the upper canopy is a short distance from the ceiling. It should not touch the ceiling.
Remote control malfunction	<ol style="list-style-type: none">1. Do not connect the fan with wall mounted variable speed control(s). CAUTION: Only Casa Vieja recommended controls are compatible with this fan.2. Make sure the dip switches are set correctly.
Fan wobble	<ol style="list-style-type: none">1. Check that all blade and blade arm screws are secure.2. Most fan wobbling problems are caused when blade levels are unequal. Check this level by selecting a point on the ceiling above the tip of one of the blades. Measure this distance. Rotate the fan until the next blade is positioned for measurement. Repeat for each blade. The distance deviation should be equal within 1/8".3. Use the enclosed Blade Balancing Kit if the blade wobble is still noticeable. If the blade wobble is still noticeable, interchanging two adjacent (side by side) blades can redistribute the weight and possibly result in smoother operation.

WARNING: TO REDUCE THE RISK OF PERSONAL INJURY, DO NOT BEND THE BLADE ARM WHILE INSTALLING, BALANCING THE BLADES, OR CLEANING THE FAN. DO NOT INSERT FOREIGN OBJECTS BETWEEN ROTATING FAN BLADES.